

UPS SYSTEM

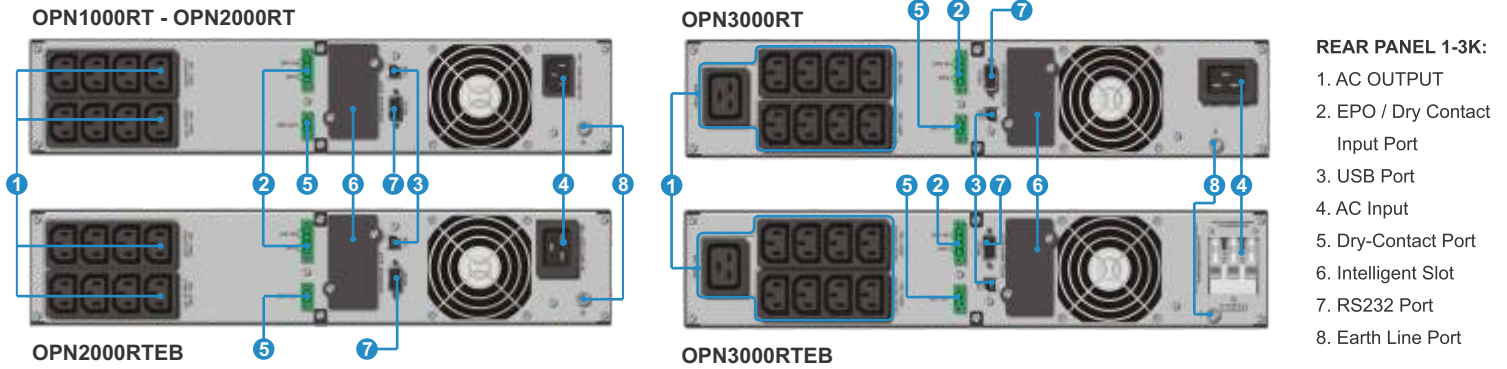
OPN Series - 1-3KVA Rack / Tower

High Power Density Rack-Tower
2-in-1 True Double Conversion
Online UPS

FEATURES

- DSP Control
- 0.9 Output Power Factor
- Wide Input Range
- High Efficiency Mode (ECO)
- Frequency Converter Mode
- Input THDi <5%
- Output Voltage Regulation <1%
- Output THDv <2%
- Fan Speed Control
- Compact Design
- Extendable Run Time*
(*EB versions only)
- Dual-input (6 - 10KVA)
- Power Management Software
- Multiple Communication Ports
- Optional SNMP & Relay Cards
- Temperature Compensation
- 1+1 Parallel (6 - 10KVA)





OPN Series - 1-3KVA Rack / Tower

	MODEL	OPN1000RT	OPN1000RTEB	OPN2000RT	OPN2000RTEB	OPN3000RT	OPN3000RTEB
CAPACITY	VA/W	1000VA / 900W		2000VA / 1800W		3000VA / 2700W	
INPUT	Voltage Range	120~275VAC Depending on Load Level					
	Frequency Range	45-55Hz / 54-66Hz					
	Phase	Single Phase with Ground					
	THDi	<5% with Full Load					
	Power Factor	>0.99 @ Full Load					
OUTPUT	Voltage	208/220/230/240VAC					
	Voltage Regulation	±1%					
	Frequency (Synch. Range)	45-55Hz / 54-66Hz					
	Frequency (BAT Mode)	50/60Hz± 0.2Hz					
	Current Crest Ratio	3:1					
	Harmonic Distortion	<2% @ Linear Load / <5% @ Non-Linear Load					
	Output Waveform	Pure Sine Wave					
	Overload Capacity: Line Mode	12s @ 102%-130% Load					
Overload Capacity: BAT Mode	1.5s @ > 130%-150% Load, < 100ms @ >150% Load						
EFFICIENCY	Line Mode	>88%		>89%		>92%	
	BAT Mode	>83%		>83%		>86%	
	ECO Mode	>95%		>95%		>95%	
BATTERY	Number of Batteries	3	Depending on the capacity of external batteries	4	Depending on the capacity of external batteries	6	Depending on the capacity of external batteries
	Battery Type	12V / 7.2Ah		12V / 9Ah		12V / 9Ah	
	Backup Time	± 5 minutes		± 5 minutes		± 5 minutes	
	Recharge Time	3 hours to 90%		3 hours to 90%		3 hours to 90%	
	Charging Current	1.5A		6A		1.5A	
TRANSFER TIMES	LINE to BAT	0ms					
	INV to BYPASS	0ms					
	INV to ECO	1ms					
	ECO to INV	<10ms					
INDICATOR	LCD	Load Level / Battery Voltage / Battery Mode / AC Mode / Bypass Mode Information					
AUDIBLE ALARM	BAT Mode	Beeps every 4 seconds					
	Battery Low	Beeps every second					
	Fault	Beeps Continuously					
	Overload	Beeps twice every second					
DIMENSION	Rack Case (WxHxD) mm	438x86.5x436				438x86.5x608	
	Weight (kg)	16.5 kg	8.4 kg	20.0 kg	9.3 kg	28.5 kg	13 kg
ENVIRONMENT	Operation Environment	0-40°C					
	Relative Humidity	0-95% (Non-condensing)					
	Noise Level	<45dB @ Front 1 Meter			<50dB @ Front 1 Meter		
INTERFACE	USB	Software Supports Windows Family, Linux, Sun Solaris, IBM Aix, Compaq True64, SGIIRIX, FreeBSD, HP-UX, MAC					
	Intelligent Slot	SNMP / AS400 / Relay Card					
	EPO	Emergency Power Off					

* Product specifications are subject to change without prior notice. Design of outer casing may vary slightly from region to region.