

Sunmodule®

SW 80 mono RHA



Data Sheet



Produced in Germany,
the center for solar technology



TUV Power controlled:
Lowest measuring tolerance in industry



25 year performance warranty and
5 year product warranty



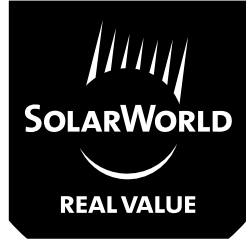
SolarWorld AG relies on Germany as its technology location, thereby ensuring sustainable product quality.

The TUV Rheinland Power controlled inspection mark guarantees that the nominal power indicated for solar modules is inspected at regular intervals and thus ensured. The deviation to TUV is maximum 2 percent.

Resistant to extreme weather conditions: SolarWorld modules, tested and certified, are resistant against sandstorms, high winds or saline environments.

Sunmodule®

SW 80 mono RHA



PERFORMANCE UNDER STANDARD TEST CONDITIONS (STC)*

		SW 80
Maximum power	P_{max}	80 Wp
Open circuit voltage	U_{oc}	22.5 V
Maximum power point voltage	U_{mpp}	18.5 V
Short circuit current	I_{sc}	4.66 A
Maximum power point current	I_{mpp}	4.35 A

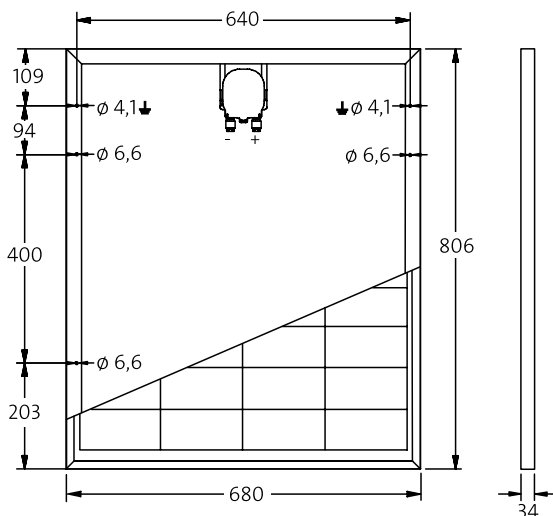
Measuring tolerance (P_{max}) traceable to TUV Rheinland: +/- 2% (TUV Power controlled)

*STC: 1000W/m², 25°C, AM 1.5

PERFORMANCE AT 800 W/m², NOCT, AM 1.5

		SW 80
Maximum power	P_{max}	58.1 Wp
Open circuit voltage	U_{oc}	20.3 V
Maximum power point voltage	U_{mpp}	16.7 V
Short circuit current	I_{sc}	3.79 A
Maximum power point current	I_{mpp}	3.48 A

Minor reduction in efficiency under partial load conditions at 25°C: at 200 W/m², 100% (+/-2%) of the STC efficiency (1000 W/m²) is achieved.



DIMENSIONS

Length	806 mm
Width	680 mm
Height	34 mm
Frame	Clear anodized aluminum
Weight	6.2 kg

COMPONENT MATERIALS

Cells per module	36
Cell type	Mono crystalline
Cell dimensions	78 mm x 156 mm
Front	tempered glass (EN 12150)

THERMAL CHARACTERISTICS

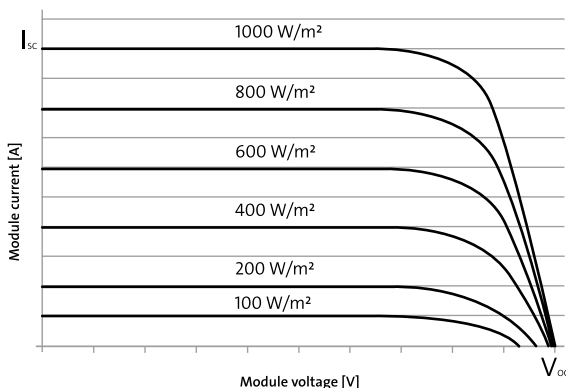
NOCT	46 °C
TC I_{sc}	0.04 %/K
TC U_{oc}	-0.3 %/K
TC P_{mpp}	-0.41 %/K

ADDITIONAL DATA

Power sorting	-5 / +10 %
---------------	------------

PARAMETERS FOR OPTIMAL SYSTEM INTEGRATION

Maximum system voltage SC II	1000 V
Maximum reverse current	16 A
Load / dynamic load	5.4 / 2.4 kN/m ²
Number of bypass diodes	2
Operating range	-40 °C to +85 °C



SolarWorld AG reserves the right to make specification changes without notice.
This data sheet complies with the requirements of EN 50380.