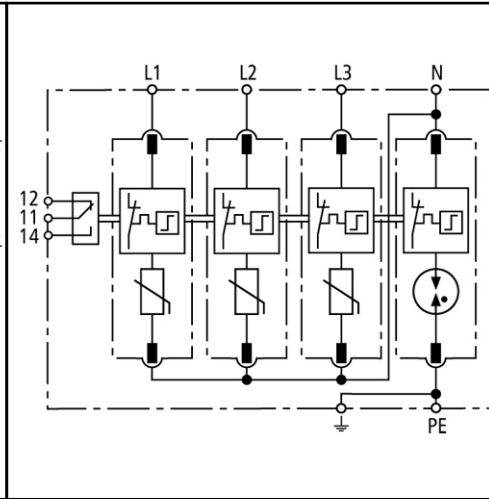


Dimension drawing DG M TT ... FM



Basic circuit diagram DG M TT ... FM



DG M TT ... (FM): Modular surge arrester for TT and TN-S systems ("3+1" circuit)

- Complete prewired unit for TT systems, consisting of a base part and plug-in protection modules
- Energy-coordinated within the Red/Line product family
- High discharge capacity due to powerful zinc oxide varistors/spark gaps
- Reliable SPD control due to "Thermo Dynamic Control"
- Operating state/fault indication of every protective circuit
- Multifunctional terminals for connection of conductors and busbars
- Easy exchange of protection modules without tools by module locking system with releasing button
- Tested for vibration- and shock-proofness acc. to EN 60068-2

**DG M TT 275 FM**

SPD according to EN 61643-11	Type 2
SPD according to IEC 61643-1	Class II
Nominal ac voltage [U <sub>N</sub> ]	230/400 V
Max. continuous ac voltage [L-N] [U <sub>C</sub> ]	275 V
Max. continuous ac voltage [N-PE] [U <sub>C</sub> ]	255 V
Nominal discharge current (8/20 μs) [I <sub>n</sub> ]	20 kA
Max. discharge current (8/20 μs) [I <sub>max</sub> ]	40 kA
Lightning impulse current (10/350 μs) [N-PE] [I <sub>imp</sub> ]	12 kA
Voltage protection level [L-N] [U <sub>p</sub> ]	≤ 1.25 kV
Voltage protection level [L-N] at 5 kA [U <sub>p</sub> ]	≤ 1 kV
Voltage protection level [N-PE] [U <sub>p</sub> ]	≤ 1.5 kV
Follow current extinguishing capability [N-PE] [I <sub>ff</sub> ]	100 A <sub>rms</sub>
Response time [L-N] [t <sub>A</sub> ]	≤ 25 ns
Response time [N-PE] [t <sub>A</sub> ]	≤ 100 ns
Max. mains-side overcurrent protection	125 A gL/gG
Short circuit withstand capability at max. mains-side overcurrent protection	50 kA <sub>rms</sub>
TOV voltage [L-N] [U <sub>T</sub> ]	335 V / 5 sec.
TOV voltage [N-PE] [U <sub>T</sub> ]	1200 V / 200 ms
Operating temperature range [T <sub>U</sub> ]	-40°C...+80°C
Cross-sectional area (min.)	1.5 mm <sup>2</sup> solid/flexible
Cross-sectional area (max.)	35 mm <sup>2</sup> stranded/25 mm <sup>2</sup> flexible
Mounting on	35 mm DIN rail acc. to EN 60715

<b>Enclosure material</b>	red thermoplastic, UL 94 V-0
<b>Degree of protection</b>	IP 20
<b>Dimension</b>	4 mods., DIN 4
<b>Type of remote signalling contact</b>	changeover contact
<b>Switching capacity ac</b>	250 V/0.5 A
<b>Switching capacity dc</b>	250 V/0.1 A; 125 V/0.2 A; 75 V/0.5 A
<b>Cross-sectional area for remote signalling terminals</b>	max. 1.5 mm <sup>2</sup> solid/flexible
<b>Ordering information</b>	
<b>Type</b>	DG M TT 275 FM
<b>Part No.</b>	<b>952 315</b>
<b>Packing unit</b>	1 pcs.

Change in form and technology, with masses, weights and materials we reserve ourselves in the sense of the progress of the technology. The illustrations are noncommittal.

For more information contact :

SINETECH

Tel : + 27 11 886 7874

Fax : +27 11 787 0178

Email : [sales@sinetech.co.za](mailto:sales@sinetech.co.za)

343 Kent Avenue, Ferndale, Randburg, Johannesburg, South Africa