



# OMNI POWER SOLAR PANEL

MODEL : OMNI-140P / 145P / 150P / 155P

MECHANICAL CHARACTERISTICS	
Length (mm)	1660
Width (mm)	672
Height (mm)	45
Weight (kg)	13
Junction Box	1 x Tyco junction box with 2 bypass diodes
Cables	Assembled with Tyco Connectors
Front Substrate	HiT SM, ARC White Glass 3.2mm thickness
Cells	40 Polycrystalline cells (156 x 156mm)
Encapsulation Material	EVA - Ethylene Vinyl Acetate
Back Substrate	Composite sheet Tedlar or APA
Frame	45mm Aluminium profile - natural or black anodized
Unframed Dimensions	L 1652 x W 664 x H 45mm (Tol. +/- 2mm)



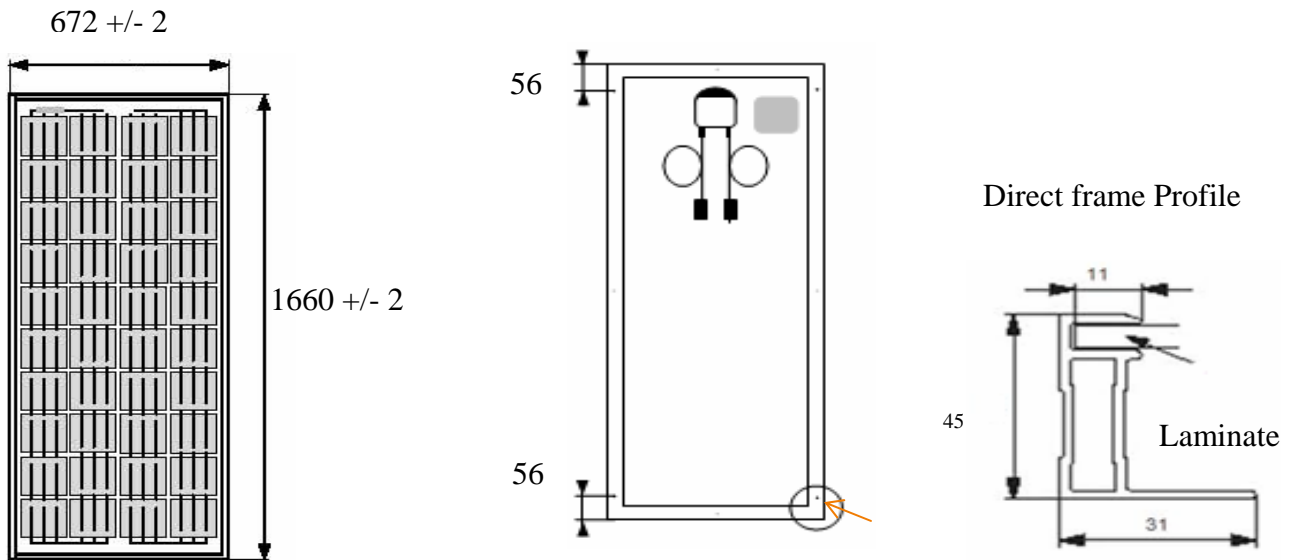
ELECTRICAL CHARACTERISTICS					
Power Class	Wp	140	145	150	155
Power Tolerance	%	+ 3/-0	+ 3/-0	+ 3/-0	+ 3/-0
Min. Power	Wp	140	145	150	155
Voltage at Max. Power (Vmp)	V	18.8	19.2	19.6	19.9
Current at Max. Power (Imp)	A	7.45	7.55	7.65	7.80
Open circuit Voltage (Voc)	V	22.6	23.0	23.5	23.9
Short Circuit Current (Isc)	A	7.80	7.90	8.00	8.20
Maximum System Voltage	V	1000	1000	1000	1000
Voltage temp. correction factor (Open Circuit)		- 0.35% K			
Current temp. correction factor (Short Circuit)		0.05% K			
Power temp. correction factor		- 0.44% K			
NOCT		45°C			
(STC) Standard testing conditions		1000 W/m <sup>2</sup> , AM 1.5, 25°C			



<b>USE CONDITIONS</b>	
Temperature range	-40°C to + 85°C
Hail Test	Limited to a diameter of 28mm at an impact speed of 86 km/h
Test Load	Certified internally up to 5400 Pa according to IEC 61215 Ed. 2

<b>CERTIFICATION</b>	
IEC 61215:2005 Ed.2	Certification in progress
EN6170 Class 1 & Class 2	Certification in progress

<b>WARRANTY</b>	
Power Performance	Terrestrial : 25 years 80% yield
	Marine : 10 years 90% yield



Tolerance	$\pm 2$ mm
Version 11/2009. Average Electrical characteristics for Power Class	
Power tolerance related to power class before <<LID>> Pictures and Drawings are not contractual	

**SINETECH RESERVES THE RIGHT TO CHANGE SPECIFICATIONS WITHOUT PRIOR NOTICE**