



OMNIPOWER SOLAR PANEL

MODEL : OMNI-40P / 45P / 50P

MECHANICAL CHARACTERISTICS	
Width (mm)	790
Length (mm)	410
Depth (mm)	36
Weight (kg)	4
Junction Box	1 x PV junction box
Cables	OPTIONAL : Solar cable (1000 x 4mm ²) assembled with Tyco connectors
Front Substrate	Low iron tempered white glass 3.2mm thickness
Cells	36 Polycrystalline cells (156 x 52mm) or Mono (125 x 62.4mm)
Encapsulation Material	EVA – Ethylene Vinyl Acetate
Back Substrate	Composite sheet Tedlar or APA
Frame	36mm Aluminium profile – natural or black anodized



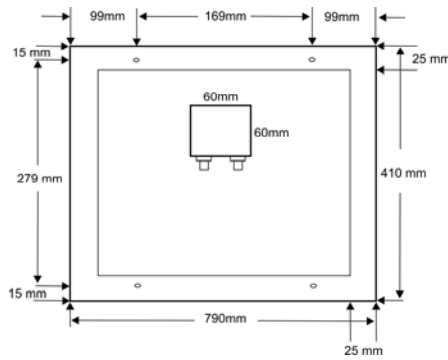
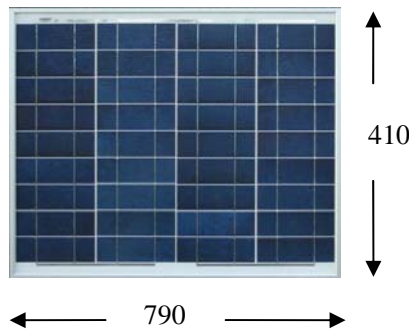
ELECTRICAL CHARACTERISTICS				
Power Class	Wp	40	45	50
Power Tolerance	W	+ 5/-2W	+ 5/-2W	+ 5/-2W
Min. Power	Wp	38	43	48
Voltage at Max. Power (Vmp)	V	17.1	17.3	17.4
Current at Max. Power (Imp)	A	2.34	2.5	2.66
Open circuit Voltage (Voc)	V	21.5	21.7	21.8
Short Circuit Current (Isc)	A	2.53	2.67	2.81
Maximum System Voltage	V	1000	1000	1000
Voltage temp. correction factor (Open Circuit)		- 0.35% K		
Current temp. correction factor (Short Circuit)		0.05% K		
Power temp. correction factor		- 0.44% K		
NOCT		45°C		
(STC) Standard testing conditions		1000 W/m ² , AM 1.5, 25°C		



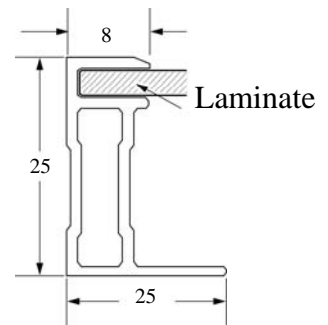
USE CONDITIONS	
Temperature range	-40°C to + 85°C
Hail Test	Limited to a diameter of 28mm at an impact speed of 86 km/h
Test Load	Certified internally up to 5400 Pa according to IEC 61215 Ed. 2

CERTIFICATION	
IEC 61215:2005 Ed.2	Certification in progress
EN6170 Class 1 & Class 2	Certification in progress

WARRANTY	
Power Performance	Terrestrial : 25 years 80% yield
	Marine : 10 years 90% yield



Direct frame Profile



Tolerance	+/-2mm
Version 11/2009. Average Electrical characteristics for Power Class	
Power tolerance related to power class before <<LID>> Pictures and Drawings are not contractual	